

SPECIFICATION OF COLD ROLLED GRAIN ORIENTED ELECTRICAL STEEL

Grade	Thickness	Density	Standard Data		Typical Data	
	mm	Kg/m ³	Max. Core loss	Min. Magnetic Induction	Core Loss	Magnetic Induction
			W/kg @ P17/50	T B8	W/kg @ P17/50	T B8
B23G100	0.23		1.10	1.80	1.08	1.84
B23G120			1.20	1.80	1.17	1.84
B27G120	0.27		1.20	1.80	1.18	1.84
B27G130			1.30	1.80	1.27	1.83
B30G120	0.30		1.20	1.80	1.18	1.84
B30G130			1.30	1.80	1.27	1.83
B30G140			1.40	1.80	1.37	1.83
B35G135	0.35		1.35	1.80	1.32	1.84
B35G145			1.45	1.80	1.42	1.84
B35G155			1.55	1.80	1.52	1.83
B23P090	0.23		0.90	1.87	0.88	1.90
B23P095			0.95	1.87	0.93	1.90
B23P100			1.00	1.87	0.98	1.89
B27P095	0.27		0.95	1.88	0.93	1.90
B27P100			1.00	1.88	0.98	1.89
B27P110			1.10	1.88	1.08	1.88
B30P100	0.30		1.00	1.88	0.98	1.90
B30P105			1.05	1.88	1.03	1.90
B30P110			1.10	1.88	1.08	1.89
B30P120			1.20	1.88	1.18	1.89
B35P115	0.35		1.15	1.88	1.13	1.91
B35P125			1.25	1.88	1.22	1.90
B35P135			1.35	1.88	1.32	1.90
B23R080	0.23		0.80	1.87	0.78	1.90
B23R085			0.85	1.87	0.83	1.90
B23R090			0.90	1.87	0.88	1.88
B27R090	0.27		0.90	1.87	0.88	1.90
B27R095			0.95	1.87	0.93	1.88

Product Size of Grain Oriented Silicon Steel

Thickness: 0.23mm, 0.27mm, 0.30mm, 0.35mm
 Width: Available 700-1270mm (**Order Width 900mm-1050mm**)
 Inner Diameter: 508mm

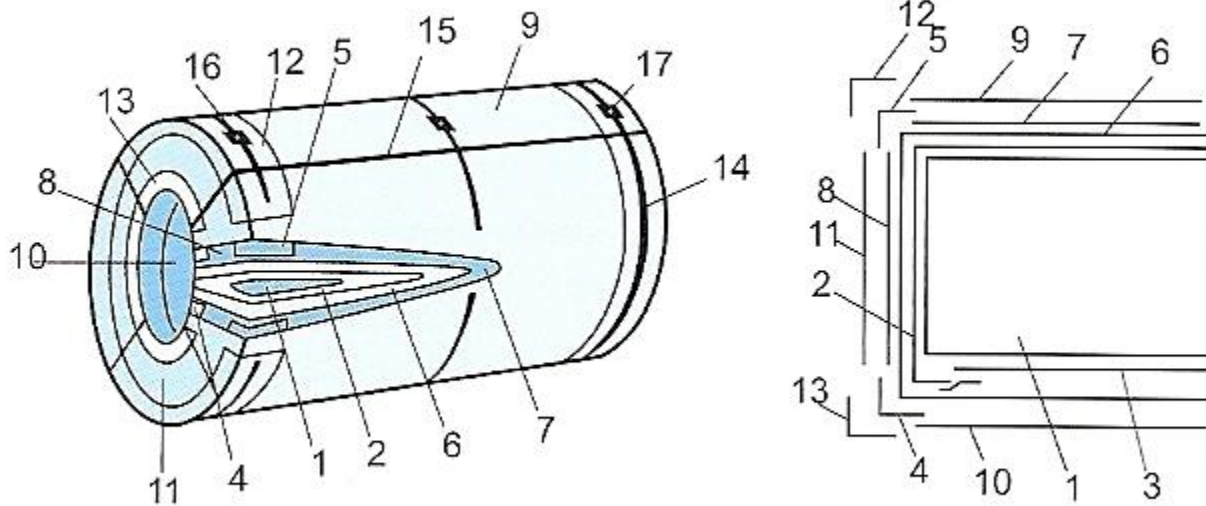
Size and Shape Tolerance:

Thickness mm	Thickness Tolerance	Longitudinal	Transversal	Width Tolerance	
				Slit Edge	Mill Edge
0.23	±0.02	≤0.030	≤0.030	0 ~ +2	0 ~ +5
0.27	±0.03				
0.30					
0.35					

Un-flatness (Waveness): should not be more than 1.5%.
 Camber at any 2m measurement should not be more than 1.0mm.

Packing:

Horizontal Packing, Eye to side packing on the pallet, max. Coil weight 6MT (**Order Coil weight: 2-6MT**)



- | | | |
|-------------------------------|--------------------------|-------------------------------|
| 1-Steel Coil | 2-Outer Rust-proof paper | 3-Inner Rust Proof Paper |
| 4-Edge Protector | 5-Edge Protector | 6-Plastic Sleeve |
| 7-Outer Plate Paper | 8-Round Plate Paper | 9-Outer Wrap Plate |
| 10-Inner Wrap Plate | 11-Steel Round plate | 12-Steel Outer Edge protector |
| 13-Steel Inner Edge protector | 14-Circular bound strip | 15-Radial bound strip |
| 16-Gasket of Locking Lap | 17-Locking Lap | |

Parallel Table of Relevant Grades

Series	Thickness mm	Baosteel	WISCO	Nippon Steel	JFE	Europe Electrical Steel EES	Thyeesn Krupp	POSCO	Ni & S Co (NLMK)	AK Steel	
G Series	0.23		23Q105								
		23G110	23Q110	23Z110			C110-23		3409		
			23Q115								M3
		B23G120					C120-23				
	0.27	B27G120	27Q120	27Z120	27JG120			C120-27	27PG120	3407	
		B27G130	27Q130	27Z130	27JG130	120-27-S5		C130-27	27PG130	3406	M4
			27Q140					C140-27	27PG140	3405	
	0.30								30PG110		
		B30G120	30Q120	30Z120	30JG120				30PG120	3408	
		B30G130	30Q130	30Z130	30JG130			C130-30	30PG130	3407	
		B30G140	30Q140	30Z140	30JG140	140-30-S5		C140-31	30PG140	3405	M5
			30Q150					C150-32			
			30Q160								
			30Q180								
		30Q220									
	0.35	B35G135	35Q135	35Z135	35JG135					3407	
		B35G145	35Q145	35Z145	35JG145				35PG145	3406	
		B35G155	35Q155	35Z155	35JG155	155-35-S5			35PG155		M6
	P Series	0.23	B23P090	23QG090	23ZH90	23JG090			H90-23	23PH090	
B23P095			23QG095	23ZH95	23JG095			H95-23	23PH095		
B23P100			23QG100	23ZH100	23JG100			H100-23	23PH100		
				23ZH110							
0.27		B27P095	27QG095	27ZH95					27PH095		H1
		B27P100	27QG100	27ZH100	27JGH100			H105-30	27PH100		
		B27P105	27QG110	27ZH110	27JGH110	103-27-P5		H110-30		3409	
0.30		B30P100	30QG100	30ZH100					30PH100		H2
		B30P105	30QG105	30ZH105	30JGH105	105-30-P5		H105-30	30PH105		
		B30P110	30QG110	30ZH110	30JGH110	110-30-P5		H111-30			
		B30P120	30QG120	30ZH120		117-30-P5				3409	
0.35		B35P115		35ZH115	35JGH115				35PH115		
		B35P125		35ZH125	35JGH125				35PH125	3409	
	B35P135		35ZH135	35JGH135				35PH135	3407		
R Series	0.23		23ZDKH80	23JGSD80				23PHD080			
			23ZDMH80								
		B23R085	23ZDKH85	23JGSD85		H085-23		23PHD085			
			23ZDKM85								
	B23R090	23ZDKH90	23JGSD90				23PHD082				
		23ZDKM90							H-0DR		
	0.27	B27R090		27ZDKH090	27JGSD090		H0990-27	27PHD090			
				27ZDKM090							
B27R095		27ZDKH095	27JGSD095				27PHD095				
			27ZDKM095						H-1DR		